

# HSE Update



Helping  
Great Britain  
**work well**

**Steven Boyd**

Principal Inspector of Health and Safety

Cumbria & North Lancashire

**10/12/2020**

# Contents

---

- HSE Workplan 2020/2021:
  - Covid-19
  - Building Safety Regulator
  - EU Transition
- HSE 2021/2022
- Matters of Interest / Notable Cases Cumbria and North Lancashire

## 2020 – Pre Covid

---

- High Risk Sectors focus
- Targeted topics where Health or Safety issues identified

# Covid-19

---

- Contingency Planning early 2020
- March 2020. Shift in focus/priority
- Covid-19 Inspection & Concerns
- Covid-19 Investigation

# Covid-19 Inspection

---

- Selection of visits
  - Concerns
  - Triaging
  - Education
- Spot checking system

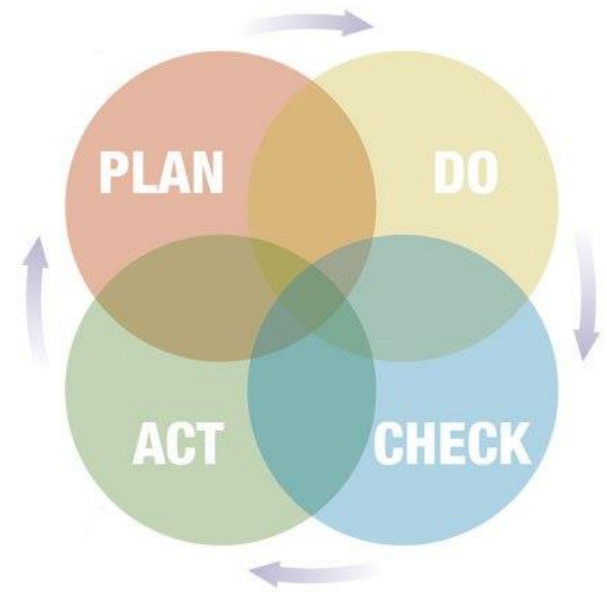
# Covid-19 Inspection - Topics

---

- (Work at Home where possible)
- Risk Assessment
- Cleaning and Hygiene Arrangements
- Maintain Social Distancing
- Other measures to manage risk

# Covid-19 Inspection - Outcomes

- Generally good level of compliance
- Failings:
  - Welfare provision
  - Cleaning arrangements
  - Monitoring



# Examples





# Covid-19 - RIDDORs

---

- Reportability
- Primary focus on fatalities
- Mainly Health and Social Care

# Covid-19 – Outbreak Response



- Outbreaks are identified by Public Health
- Workplace Transmission?
- Failings in control

# Building Safety Regulator

- Building Safety Bill – July 2020
- New regulator
- High risk residential
- Accountability



# UK Leaving EU

---

- CE Marking still accepted until 2022
- UK Conformity Assessment UKCA
- Chemical regulation. Independent but similar to current EU regime
  - Podcasts, HSE website...

# HSE 2021



- High Risk Sectors
- Covid likely to remain
- Waste and Recycling, Food Manufacture
- Healthcare
- Construction

# Construction

- Continued health focus
  - Wood Dust
  - Silica Dust
  - Asbestos



# Notable Work Cumbria & North Lancashire

---



# Agricultural Fatalities

- Children on farms
- Fall from height
- Quad Bike



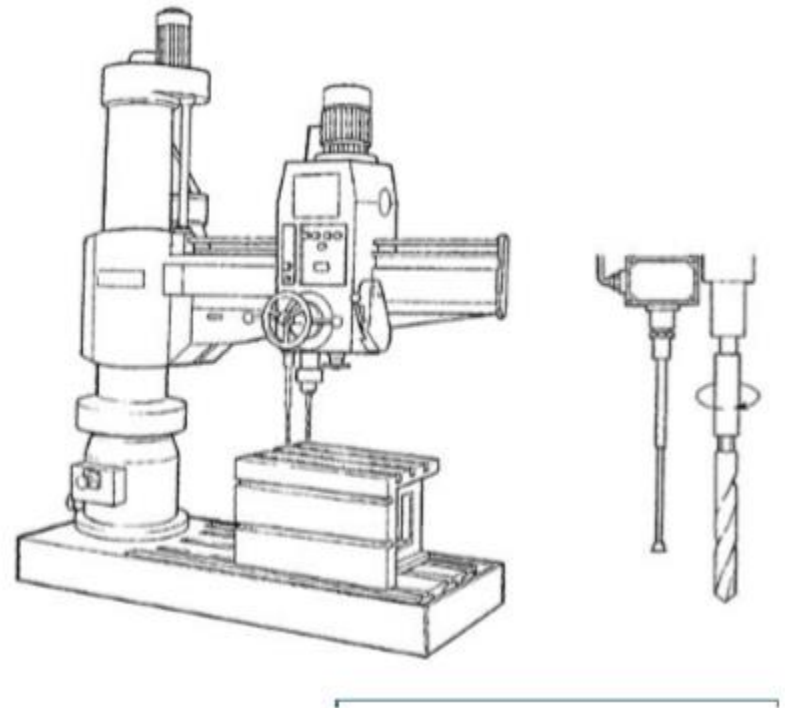


# High Tip Dumper Overturn

- Overturn on Slope
- Seatbelt not used
- Training
- Supervision



# Radial Arm Drill



# Forklift Truck Overturn

---

- Site
- Vehicle
- Driver

# Gas Explosion



# Unregistered Gas Fitter

- BBC Watchdog
- Long history of offences

Photo looking at the chimney/flue outlet from the boiler. Incorrect expanding foam seal around chimney/flue outlet. Potential to crush chimney/flue pipe. Expanding foam seal observed at flue air inlet joint. No securing screws in chimney/flue joining coupling.



# Repeated Breaches - Director

- History with HSE
- Repeated breaches
- Director disqualified



# Unsafe Spraybooth

---

- Isocyanate paints
- Director prosecuted.



# Questions/ Comments/ Discussion

